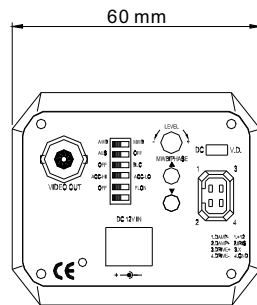
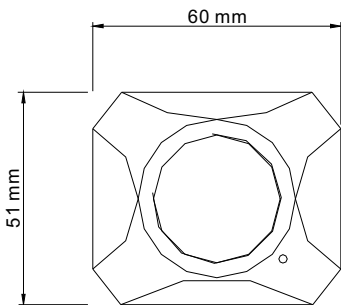
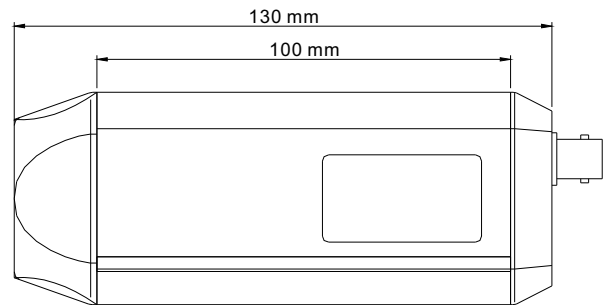


CC-2002 / CC-2002H

HIGH RESOLUTION



Rear View



FEATURES

Adopting EX-View HAD CCD, with extremely low 0.005 Lux, these cameras capture quality images under low light environment.

CC-2002

- SONY 1/3" EX-View HAD sensor
- 380 TV Lines of Horizontal Resolution
- Minimum illumination of 0.005 Lux
- AES, AI, AGC, AWB, MWB, BLC, FL, Line Lock

CC-2002H

- High Resolution SONY 1/3" EX-View HAD sensor
- 470 TV Lines of Horizontal Resolution
- Minimum illumination of 0.01 Lux
- AES, AI, AGC, AWB, MWB, BLC, FL, Line Lock

SPECIFICATION

Model Number	CC-2002	CC-2002H
Image Pick-up Device	Color SONY 1/3" EX-View HAD sensor	Color SONY 1/3" HR EX-View HAD sensor
Effective Picture Element	NTSC: 510(H)x492(V) PAL: 500(H)x582(V)	NTSC: 768(H)x494(V) PAL: 752(H)x582(V)
Horizontal Resolution	380 TV lines	470 TV lines
Minimum Illumination	0.005 LUX @ F1.2	0.01 LUX @ F1.2
S/N Ratio	More than 48dB	
Auto Electronic Shutter	NTSC: 1/60s~1/100,000s, PAL: 1/50s~1/110,000s ON/OFF switchable	
Auto Iris Control	Video-Drive Lens & DC-Drive Lens both supported	
Flickerless Mode	NTSC: 1/100s, PAL: 1/120s ON/OFF switchable	
Gamma Characteristic	0.45	
Lens Mount	C or CS mount adjustable	
Auto Gain Control	High / Low switchable	
Auto White Balance	ATW (Auto) / MWB (Manual) switchable	
Back Light Compensation	ON/OFF switchable	
Synchronous System	Internal, Negative Sync. / External Line Lock	
Video Output	1 Vp-p / 75 Ohms, BNC connector	
Power Supply	12V DC + 24V AC (Dual Voltage)	
Operating Temperature	-10°C ~ 50°C (14°F ~ 122°F)	

*Specifications subject to change without notice